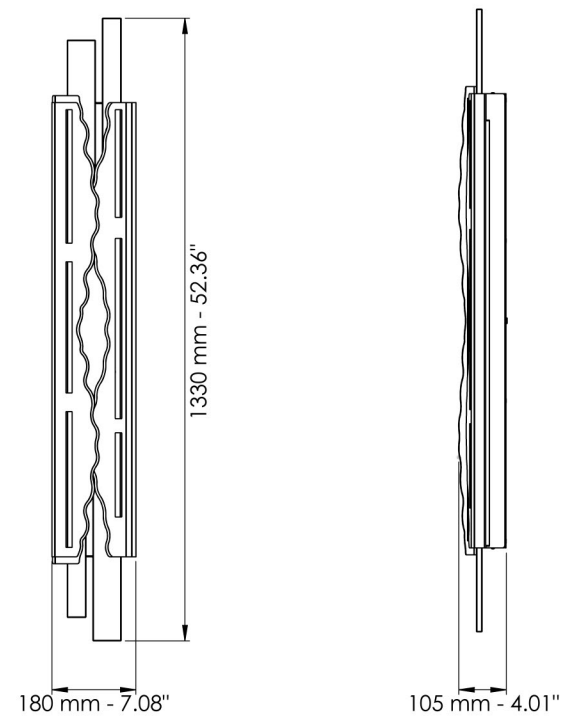
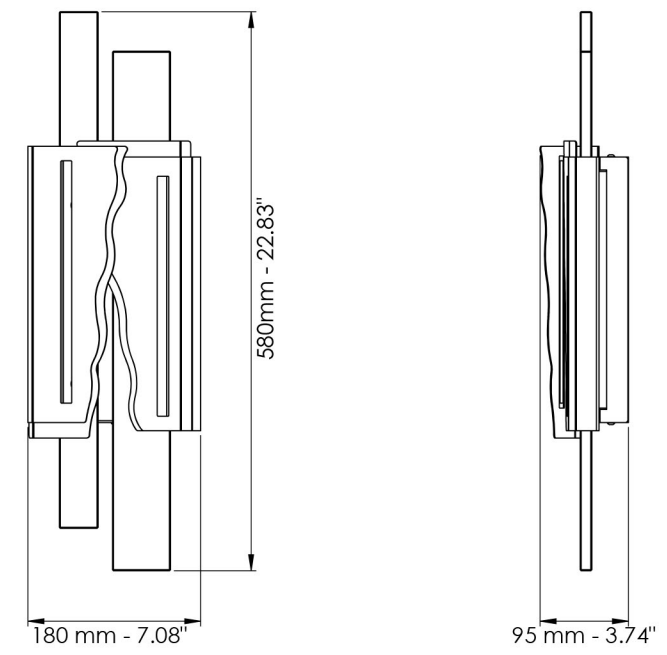


Art. 7900/2



Art. 7900/1



Art. 7900/S

